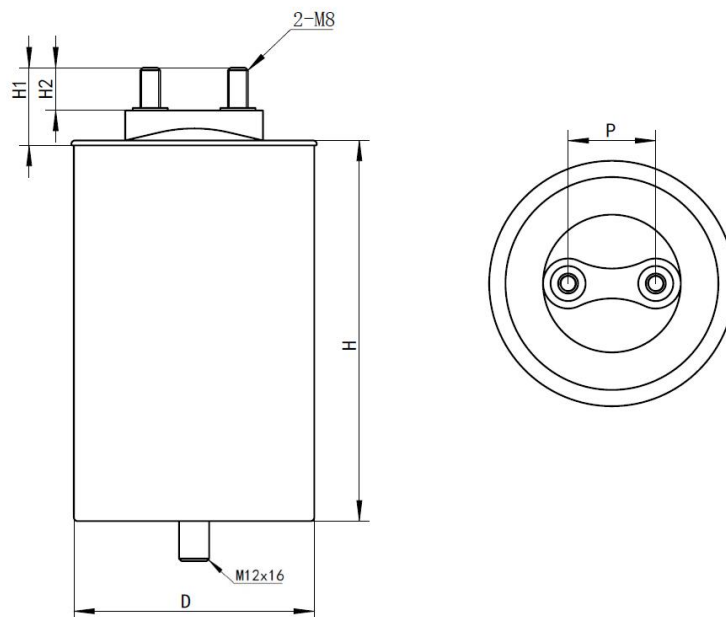


外形图 Outline Drawing

单相交流滤波电容器
AC-filter Capacitor (Aluminum case)



应用

Applications

- ◆ 功率因数校正 LCL 滤波
- ◆ Power Factor Correction
- ◆ LCL filter
- ◆ 风能发电、太阳能发电用变频器上
- ◆ Used in inverters of wind power and solar power



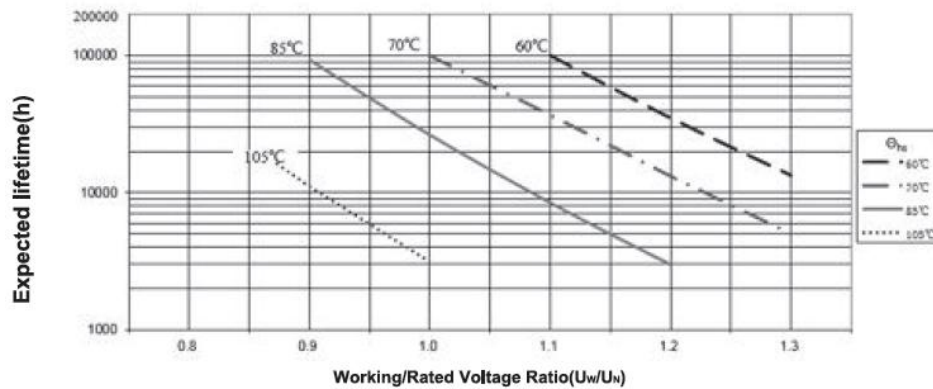
特征

- ◆ 低等效串联电阻，高纹波电流处理能力
- ◆ 低电感
- ◆ 寿命时间长
- ◆ 自愈特性
- ◆ 防爆设计，过压力保护

Features

- ◆ Low ESR, high ripple current handling capabilities
- ◆ Low ESL
- ◆ Long Lifetime
- ◆ Self-healing property
- ◆ Anti-explosion design, overpressure tear-off fuse

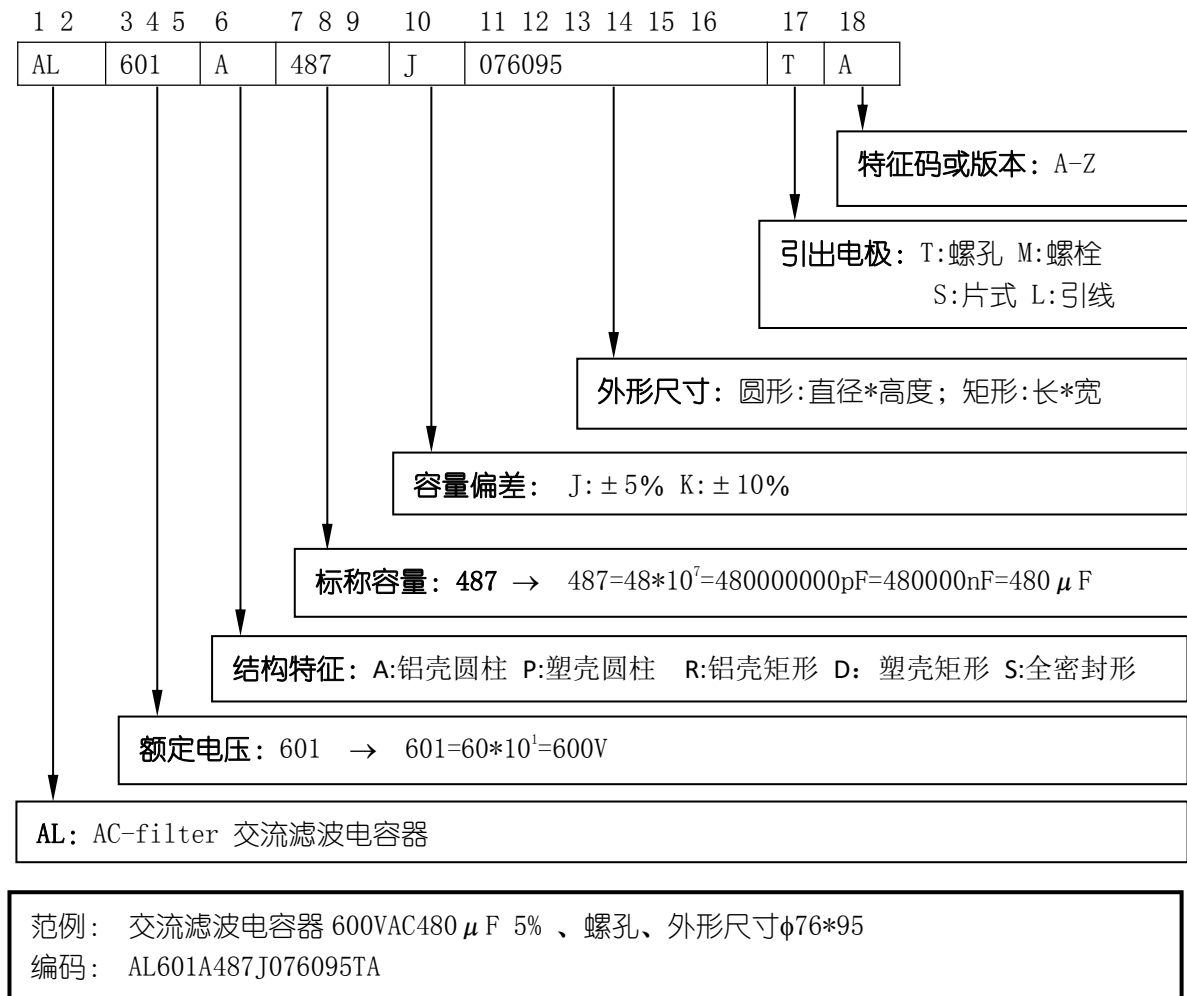
预期寿命曲线图 Expected lifetime curve



型号代码:

Model type code:

- AL*** A: 铝壳圆柱滤波电容器 (Cylinder Aluminum case)
- AL*** P: 塑壳圆柱滤波电容器 (Cylinder Plastic case)
- AL*** R: 铝壳矩形滤波电容器 (Rectangular Aluminum case)
- AL*** D: 塑壳矩形滤波电容器 (Rectangular Plastic case)
- AL*** S: 全密封电容器 (Sealing Type case)



产品品号 Part number

AL601A487J076095TA

技术要求 Specifications



引用标准 Reference Standard	GB/T 17702(IEC 61071)	
气候类别 Climatic Category	D≤116mm: 40/85/56 D = 136mm: 40/80/56	
工作温度范围 Operating Temperature Range	D≤116mm: -40℃~85℃ (θ _{hs} ≤85℃) D = 136mm: -40℃~80℃ (θ _{hs} ≤80℃)	
储存温度范围 Storage Temperature Range	-40℃~85℃	
额定电压 (Un) Rated Voltage	230Vac~850Vac	
额定容量 (Cn) Reted Capacitance	8~330 μF	
电容量允许偏 Capacitance Tolerance	±5% (J)、±10% (K)	
耐电压(两极之间) Test Voltage Between Terminals	2.15 U _N (10S, 20±5℃)	
耐电压(极壳之间) Test Voltage Between Terminals&Case	2000+2U _{NAC} , min 3,000Vac (10S, 50Hz, 20℃±5℃)	
介质损耗 tg δ ₀	0.0002	
IR×Cn	≥5,000S (20℃, 100Vdc, 1min)	
过电压 Over Voltage	1.1Urms (8h/day)	
	1.15rms (30min/day)	
	1.2Urms (5 min/day)	
	1.3Urms (200times/lifetime)	
最大使用海拔 Max. Altitude	2,000m	
最大电极扭矩 Max. Torque of terminals	M6:3Nm	M8:4Nm
最大安装扭矩 Max. Torque of Installation	10Nm	
安装 Installation	任意方向 Any Position	
预期寿命 Expected Lifetime	参考预期寿命曲线 Refer to Expected Lifetime curve	
失效率 Failure rate	50FIT	

注：如果使用海拔高度超过 2,000m，应考虑海拔对对流冷却及外绝缘的影响。

The effect of altitude on convection cooling and external insulation should be taken into consideration, if the altitude exceeds 2,000m.



技术参数 Technical data

Urms =250Vac Un=350Vac

Cn (μ F)	D (mm)	H (mm)	P (mm)	Rs (m Ω)	Ls (nH)	Rth (K/W)	I _{max} (A)	\hat{I} (kA)	\hat{I}_s (kA)	Part number
150	76	120	30	3.4	1450	7.1	32	2.4	7.2	AL251A157J076120**
160	76	120	30	3.2	140	6.9	33	2.6	7.7	AL251A167J076120**
180	76	130	30	3.5	160	6.5	33	2.4	7.2	AL251A187J076130**
200	76	130	30	3.3	160	6.2	34	2.7	8.0	AL251A207J076130**
230	76	145	30	3.8	190	5.7	33	2.4	7.1	AL251A237J076145**
250	76	145	30	3.1	190	5.6	37	2.6	7.8	AL251A257J076145**
300	76	200	30	1.7	140	4.6	54	4.8	14.5	AL251A307J076200**
350	76	200	30	1.6	140	4.2	59	5.6	16.9	AL251A357J076200**
400	86	200	30	1.5	140	4.2	61	6.4	19.3	AL251A407J076200**
500	86	220	30	1.5	160	3.7	64	6.6	19.9	AL251A507J086220**
600	86	250	30	1.7	190	3.3	64	6.2	18.6	AL251A607J086250**

技术参数 Technical data

Urms =330Vac Un=460Vac

Cn (μ F)	D (mm)	H (mm)	P (mm)	Rs (m Ω)	Ls (nH)	Rth (K/W)	I _{max} (A)	\hat{I} (kA)	\hat{I}_s (kA)	Part number
100	76	120	30	3.8	140	7.2	29	1.6	4.8	AL331A107J076120**
120	76	120	30	3.4	140	6.7	32	1.9	5.8	AL331A127J076120**
140	76	145	30	4.6	190	6.1	29	1.4	4.3	AL331A147J076145**
150	76	145	30	4.4	190	5.9	30	1.6	4.7	AL331A157J076145**
160	76	145	30	4.2	190	5.7	31	1.7	5.0	AL331A167J076145**
180	76	145	30	3.4	190	5.5	35	1.9	5.6	AL331A187J076145**
200	76	200	30	1.9	140	4.6	50	3.2	9.7	AL331A207J076200**
230	76	200	30	1.8	140	4.4	53	3.7	11.1	AL331A237J076200**
250	86	200	30	1.7	140	4.4	53	4.0	12.1	AL331A257J086200**
300	86	200	30	1.5	14	4.0	56	4.8	14.5	AL331A307J086200**
350	86	220	30	1.6	160	3.6	60	4.6	13.9	AL331A357J086220**
400	86	250	30	1.8	190	3.3	59	4.1	12.4	AL331A407J076250**



技术参数 Technical data

Urms =500Vac Un=700Vac

Cn (μ F)	D (mm)	H (mm)	P (mm)	Rs (m Ω)	Ls (nH)	Rth (K/W)	I _{max} (A)	\hat{I} (kA)	\hat{I}_s (kA)	Part number
50	76	120	30	3.2	140	7.7	29	1.2	3.5	AL501A506J076120**
60	76	120	30	2.8	140	7.2	31	1.4	4.2	AL501A606J076120**
70	76	145	30	3.8	190	6.6	29	1.1	3.2	AL501A706J076145**
80	76	145	30	3.5	190	6.2	31	1.2	3.6	AL501A806J076145**
90	76	145	30	3.2	190	5.9	32	1.4	4.1	AL501A906J076145**
100	76	200	30	1.5	140	4.8	50	2.3	7.0	AL501A107J076200**
133	86	200	30	1.3	140	4.2	58	3.1	9.4	AL501A137J086200**
150	86	200	30	1.2	140	4.2	59	3.5	10.6	AL501A157J086200**
200	86	220	30	1.2	160	3.5	64	3.9	11.6	AL501A207J086220**
250	86	250	30	1.3	190	3.1	65	3.8	11.3	AL501A257J086250**

技术参数 Technical data

Urms =690Vac Un=980Vac

Cn (μ F)	D (mm)	H (mm)	P (mm)	Rs (m Ω)	Ls (nH)	Rth (K/W)	I _{max} (A)	\hat{I} (kA)	\hat{I}_s (kA)	Part number
15	76	95	30	2.8	100	9.1	24	0.8	2.4	AL691A156J076095**
22	76	105	30	2.8	120	7.8	27	0.9	2.6	AL691A226J076105**
33	76	170	30	2.3	120	6.0	35	1.3	3.9	AL691A336J076170**
47	86	170	30	2.0	110	5.2	41	1.9	5.6	AL691A476J086170**
60	86	200	30	2.2	140	4.6	42	1.7	5.1	AL691A606J086170**
68	86	200	30	1.5	140	4.3	50	1.9	5.8	AL691A686J086200**
82	86	250	30	2.0	190	3.9	48	1.5	4.5	AL691A826J086250**
100	86	250	30	1.8	190	3.4	53	1.8	5.4	AL691A107J086250**
120	96	250	30	1.6	190	3.3	56	2.2	6.5	AL691A127J096250**
150	106	250	30	1.4	190	3.0	59	2.7	8.2	AL691A157J106250**



技术参数 Technical data

Urms =760Vac/850Vac Un=1070Vac/1200Vac

Cn (μ F)	D (mm)	H (mm)	P (mm)	Rs (m Ω)	Ls (nH)	Rth (K/W)	I _{max} (A)	\hat{I} (kA)	\hat{I}_s (kA)	Part number
10	76	95	30	3.3	100	9.0	21	0.6	1.9	AL851A106J076095**
15	76	105	30	3.3	120	7.5	25	0.7	2.1	AL851A156J076105**
22	76	145	30	5.4	190	6.0	24	0.5	1.4	AL851A226J076145**
33	76	170	30	2.0	110	4.7	41	1.5	4.6	AL851A336J076170**
47	86	200	30	2.1	140	4.3	42	1.7	5.0	AL851A476J086200**
68	86	250	30	2.0	190	3.2	50	1.4	4.3	AL851A686J086250**
82	96	250	30	1.8	190	3.1	53	1.7	5.2	AL851A826J096250**
100	96	250	30	1.6	190	2.7	59	2.1	6.4	AL851A107J096250**

可依客户要求定制电容

